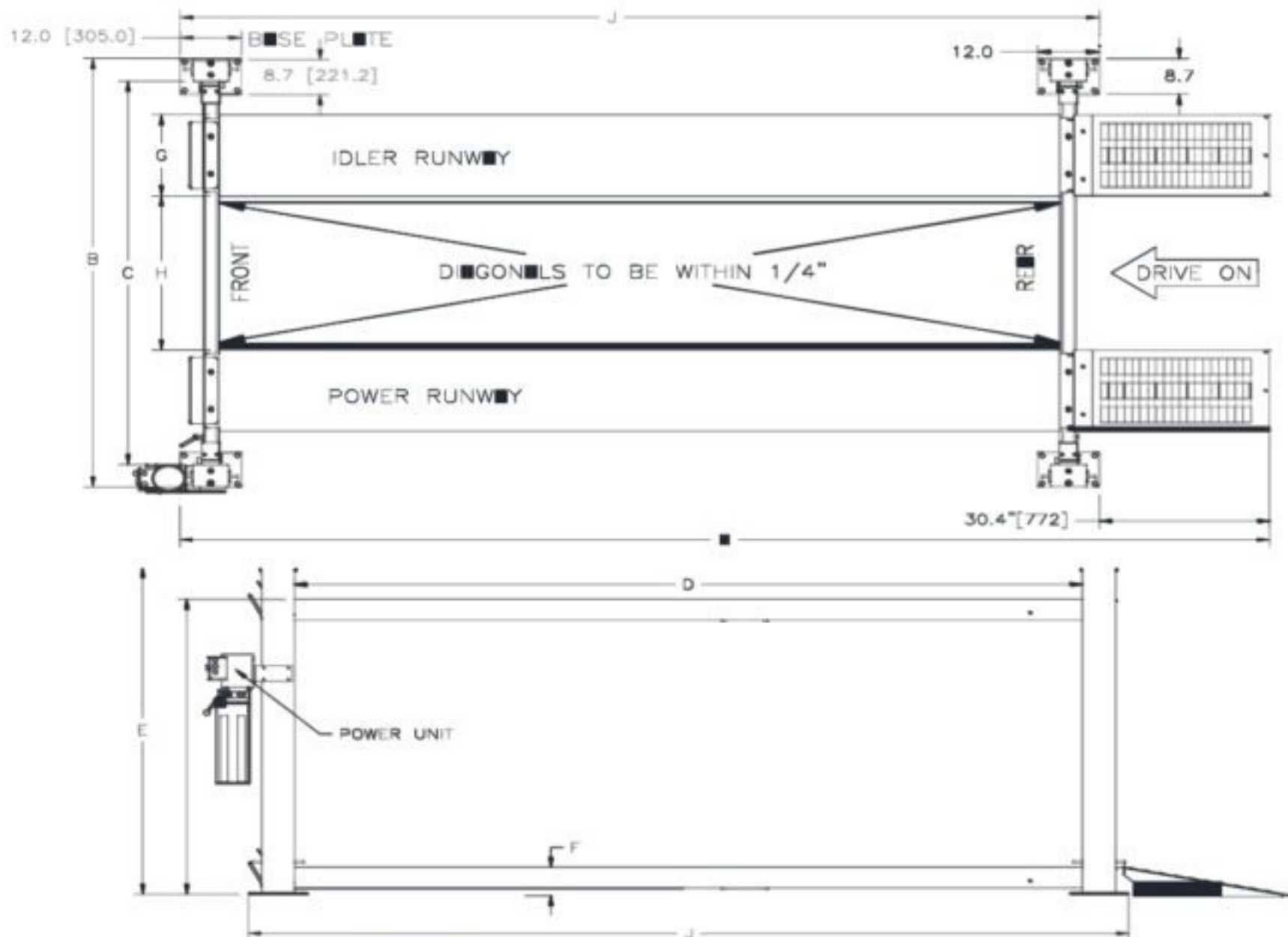
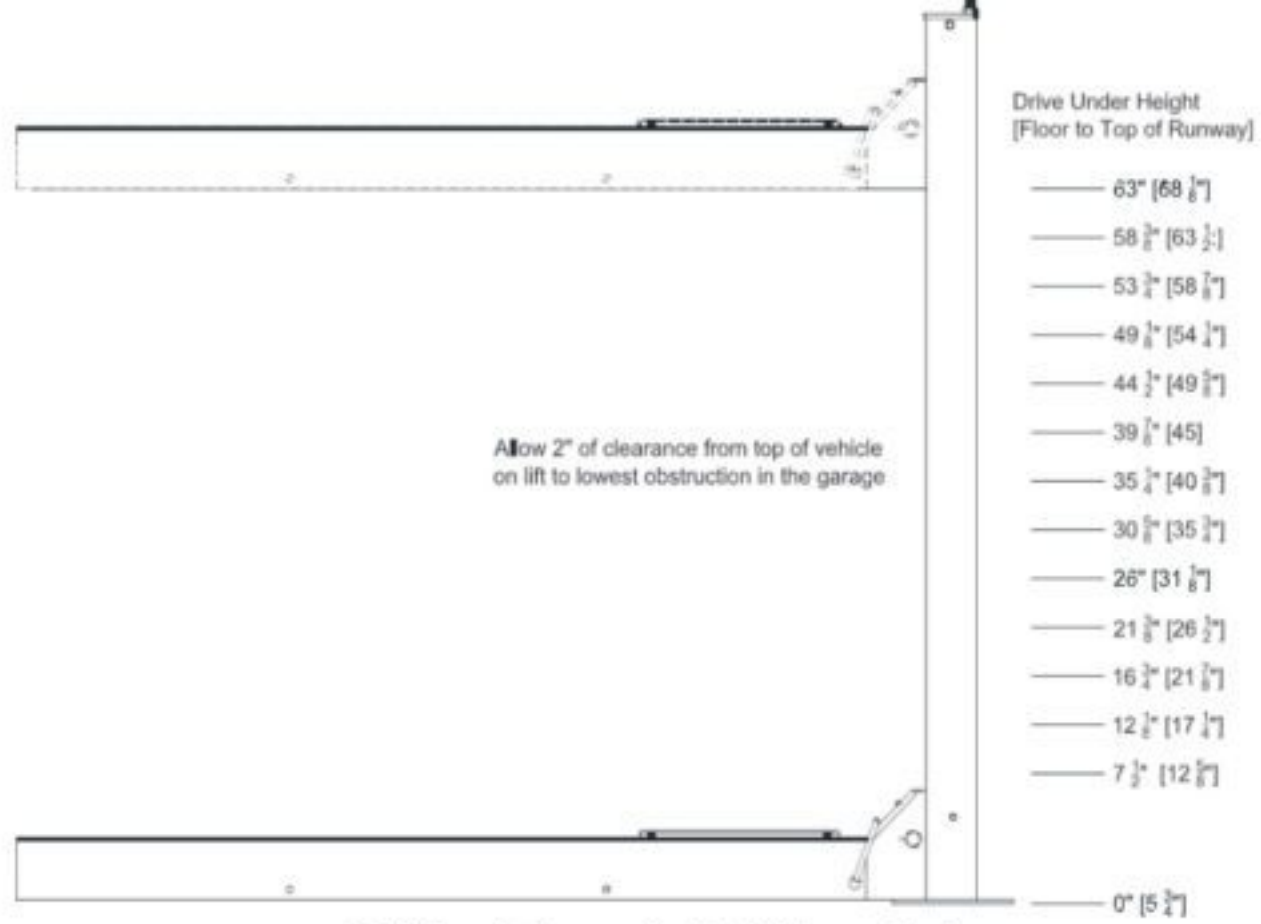


SPECIFICATIONS	ACV7	ACV9	ACV9X	ACV9W
A Length Overall	195½" [16'-3½"]	209½" [17'-5½"]	233½" [19'-5½"]	233 ½" [19'-5½"]
B Width Overall	100 1/2" (8'-4½")	112¼"	112¼"	127¼"
C Inside Columns	92 1/8"	95"	95"	110"
D Between Columns	147 ½" [12'-3½"]	160½" [13'-4½"]	184¾" [15'-4¾"]	184¾" [15'-4¾"]
E Height of Columns	79 ½"	84½"	96½"	96½"
F Height of Runways	5 ¾"	7"	7"	
G Width of Runways	20"		20"	
H Width Between Runways	38"		38"	
I Rise Height ⁽¹⁾	68½"	73¼"	85½"	85½"
J Length (Base Plate – Base Plate)	165"	179¼"	203½"	203½"
Lifting Capacity	7,000 lbs	9,000 lbs	9,000 lbs.	
Motor	1HP/2HP		1HP/2HP	
Voltage (Single Phase Std.)	115v/208-230v		115v/208-230v	
Speed of Rise (approximate)	120 Seconds/90 Seconds		120 Seconds/90 Seconds	
⁽¹⁾ Height underneath Runway	63"	67 ¾"	80"	80"



**Fig 1 – General Specifications and Service Bay Layout
(Power Unit location: Left Front as Shown or Right Rear)
ACV7 - General Specifications & Service Bay Layout**



ACV7 - Drive under heights on locks

